

# **marantz®**

**Model PM7200** User Guide

---

**Integrated Amplifier**

## ENGLISH

### WARRANTY

For warranty information, contact your local Marantz distributor.  
**RETAIN YOUR PURCHASE RECEIPT**  
Your purchase receipt is your permanent record of a valuable purchase. It should be kept in a safe place to be referred to as necessary for insurance purposes or when corresponding with Marantz.

### IMPORTANT

When seeking warranty service, it is the responsibility of the consumer to establish proof and date of purchase. Your purchase receipt or invoice is adequate for such proof.

### FOR U.K. ONLY

This undertaking is in addition to a consumer's statutory rights and does not affect those rights in any way.

## FRANÇAIS

### GARANTIE

Pour des informations sur la garantie, contacter le distributeur local Marantz.

### CONSERVER L'ATTESTATION D'ACHAT

L'attestation d'achat est la preuve permanente d'un achat de valeur. La conserver en lieu sûr pour s'y reporter aux fins d'obtention d'une couverture d'assurance ou dans le cadre de correspondances avec Marantz.

### IMPORTANT

Pour l'obtention d'un service couvert par la garantie, il incombe au client d'établir la preuve de l'achat et d'en corroborer la date. Le reçu ou la facture constituent des preuves suffisantes.

## DEUTSCH

### GARANTIE

Bei Garantiefragen wenden Sie sich bitte an Ihren Marantz-Händler.

### HEBEN SIE IHRE QUITTING GUT AUF

Die Quittung dient Ihnen als bleibende Unterlage für Ihren wertvollen Einkauf. Das Aufbewahren der Quittung ist wichtig, da die darin enthaltenen Angaben für Versicherungswecke oder bei Korrespondenz mit Marantz angeführt werden müssen.

### WICHTIG!

Bei Garantiefragen muß der Kunde eine Kaufunterlage mit Kaufdatum vorlegen. Ihren Quittung oder Rechnung ist als Unterlage ausreichend.

## NEDERLANDS

### GARANTIE

Voor inlichtingen omtrent garantie dient u zich tot uw plaatselijke Marantz.

### UW KWITANTIE, KASSABON E.D. BEWAREN

Uw kwitantie, kassabon e.d. vormen uw bewijs van aankoop van een waardevol artikel en dienen op een veilige plaats bewaard te worden voor evt. verwijzing bijv. in verbend met verzekering of bij correspondentie met Marantz.

### BELANGRIJK

Bij een evt. beroep op de garantie is het de verantwoordelijkheid van de consument een gedateerd bewijs van aankoop te tonen. Uw kassabon of factuur zijn voldoende bewijs.

## ESPAÑOL

### GARANTIA

Para obtener información acerca de la garantía póngase en contacto con su distribuidor Marantz.

### GUARDE SU RECIBO DE COMPRA

Su recibo de compra es su prueba permanente de haber adquirido un aparato de valor. Este recibo deberá guardarlo en un lugar seguro y utilizarlo como referencia cuando tenga que hacer uso del seguro o se ponga en contacto con Marantz.

### IMPORTANTE

Cuando solicite el servicio otorgado por la garantía el usuario tiene la responsabilidad de demostrar cuándo efectuó la compra. En este caso, su recibo de compra será la prueba apropiada.

## ITALIANO

### GARANZIA

L'apparecchio è coperto da una garanzia di buon funzionamento della durata di un anno, o del periodo previsto dalla legge, a partire dalla data di acquisto comprovata da un documento attestante il nominativo del Rivenditore e la data di vendita. La garanzia sarà prestata con la sostituzione o la riparazione gratuita delle parti difettose.

Non sono coperti da garanzia difetti derivanti da uso improprio, errata installazione, manutenzione effettuata da personale non autorizzato o, comunque, da circostanze che non possano riferirsi a difetti di funzionamento dell'apparecchio. Sono inoltre esclusi dalla garanzia gli interventi inerenti l'installazione e l'allacciamento agli impianti di alimentazione.

Gli apparecchi verranno riparati presso i nostri Centri di Assistenza Autorizzati. Le spese ed i rischi di trasporto sono a carico del cliente.

La casa costruttrice declina ogni responsabilità per danni diretti o indiretti provocati dalla inosservanza delle prescrizioni di installazione, uso e manutenzione dettagliate nel presente manuale o per guasti dovuti ad uso continuato a fini professionali.

## PORTUGUÊS

### GARANTIA

Para informações sobre a garantia, contactar o distribuidor Marantz local.

### GUARDAR O RECIBO DE COMPRA

O recibo é o registo permanente da compra que fez. Deve ser guardado num local seguro, para ser apresentado em questões relacionadas com o seguro ou para quando tiver de contactar a Marantz.

### IMPORTANTE

Quando procurar assistência técnica ao abrigo da garantia, é da responsabilidade do consumidor estabelecer a prova e data de compra. O recibo é prova adequada.

## SVENSKA

### GARANTI

För information om garantin, kontakta Marantz lokalagent.

### SPAR KVITTOT

Kvittot är ett inköpsbevis på en värdefull vara. Det skall förvaras säkert och hänvisas till vid försäkringsfall eller vidkorrespondens mod Marantz.

### VIKTIGT

Fö att garantin skall gälla är det kundens sak att framställa bevis och datum om köpet. Kvitto eller faktura är tillräckligt bevis för detta.

## DANSK

### GARANTI

Henvend dem til Deres MARANTZ-forhandler angående information om garantien.

### GEM DERES KVITTERING

Deres købskvittering er Deres varige bevis på et dyrt køb. Den bør gemmes godt og anvendes som bevis, hvis De vil tegne en forsikring, eller hvis De kommunikerer med Marantz.

### VIGTIGT

Det påhviler forbrugeren at skaffe bevis for købet og købsdatoen, hvis han eller hun ønsker garantiservice. Deres købskvittering eller faktura er et fuldgældigt bevis herpå.

## CONTENTS

English .....	page 3
Français .....	page 11
Deutsch .....	setite 19
Nederlands .....	pagina 27
Español .....	pagina 35
Italiano .....	pagina 43
Português .....	página 51
Svenska .....	sidan 59
Dansk .....	side 67
Specifications .....	page 75
Figures .....	page 76

## CE MARKING

- CE English**  
The PM7200 conforms with the EMC directive and low-voltage directive.
- CE Français**  
Le PM7200 est conforme à la directive EMC et à la directive sur les basses tensions.
- CE Deutsch**  
Der PM7200 entspricht den Bestimmungen über elektromagnetische Störfreiheit (EMC) und denen über Niederspannungsgeräte.
- CE Nederlands**  
De PM7200 voldoet aan de EMC-richtlijn en aan de richtlijn voor laag voltage.
- CE Español**  
El modelo PM7200 cumple la directiva EMC y a la directiva sobre baja tensión.
- CE Italiano**  
Il PM7200 è conforme alla direttiva EMC e alla direttiva sul basso voltaggio.
- CE Português**  
O PM7200 é conforme às Directivas relativas à EMC e à baixa tensão.
- CE Svenska**  
PM7200 uppfyller direktiven angående elektromagnetisk kompatibilitet och lågspänning.
- CE Dansk**  
PM7200 overholder EMC-direktivet og lavspændingsdirektivet.

### English

To ventilate the unit, do not install the unit in a rack or bookshelf, and note the followings.

- Do not touch the top of the enclosure during operation.
- Do not block the openings in the enclosure during operation.
- Do not insert objects beneath the unit.
- Do not block the ventilation slots at the top of the unit.
- Do not place anything about 1 meter above the top panel.
- Make a space of about 0.2 meter around the unit.

### Français

Pour que l'appareil puisse être correctement ventilé, ne pas l'installer dans un meuble ou une bibliothèque et respecter ce qui suit.

- Ne pas toucher le dessus du coffret.
- Ne pas obstruer les ouïes de ventilation du coffret pendant le fonctionnement.
- Ne placer aucun objet sous l'appareil.
- Ne pas obstruer les ouïes de ventilation du panneau supérieur. Ne placer aucun objet à moins d'un mètre environ du panneau supérieur.
- Veiller à ce qu'aucun objet ne soit à moins de 0,2 mètre des côtés de l'appareil.

### Deutsch

Um eine einwandfreie Belüftung des Geräts zu gewährleisten, darf das Gerät nicht in einem Gestell oder Bücherregal aufgestellt werden; die folgenden Punkte sind besonders zu beachten:

- Während des Betriebs das Oberteil des Gehäuses nicht berühren.
- Während des Betriebs die Öffnungen im Gehäuse nicht blockieren.
- Keine Gegenstände in das Gerät einführen.
- Die Belüftungsschlitze an der Oberseite des Geräts dürfen nicht blockiert werden. Darauf achten, daß über dem Gerät ein Freiraum von mindestens 1 meter vorhanden ist.
- Auf allen Geräteseiten muß ein Zwischenraum von ungefähr 0,2 meter vorhanden sein.

### Nederlands

Installeer het toestel niet in een rek of boekenkast waar de ventilatie mogelijk wordt gehinderd. Let tevens op de volgende punten:

- Raak de bovenkant van het toestel niet aan als het in gebruik is.
- Blokkeer de openingen van het toestel niet als het in gebruik is.
- Plaats geen onderwerpen onder het toestel.
- Blokkeer de ventilatie-openingen aan de bovenkant van het toestel niet. Zorg dat er tenminste 1 meter vrije ruimte boven het toestel is.
- Zorg dat er 0,2 meter vrije ruimte rond het toestel is.

### Español

Para ventilar la unidad no la instale en una estantería ni estante para libros, y tenga en cuenta lo siguiente:

- No toque la parte superior de la caja durante el funcionamiento.
- No tape las ranuras en la caja durante el funcionamiento.
- No ponga objetos debajo de la unidad.
- No tape las ranuras de ventilación de la parte superior de la unidad. No ponga nada a menos de 1 metro por encima del panel superior.
- Deje un espacio de unos 0,2 metro alrededor de la unidad.

### Italiano

Perché l'unità possa essere sempre ben ventilata, non installarla in scaffali o librerie e tenere presente quanto segue.

- Non toccare la parte superiore del rivestimento durante il funzionamento.
- Non bloccare le aperture sul rivestimento durante il funzionamento.
- Non inserire oggetti al di sotto dell'unità.
- Non bloccare le fessure di ventilazione sopra l'unità. Non posare nulla per circa un metro sopra il pannello superiore.
- Lasciare 0,2 metro liberi tutto intorno l'unità.

### Português

Para ventilar o aparelho, não instalá-lo dentro duma estante ou algo similar, e observar as seguintes recomendações:

- Não tocar a parte superior do aparelho durante a operação.
- Não bloquear as aberturas do aparelho durante a operação.
- Não inserir objectos debaixo do aparelho.
- Não bloquear as aberturas de ventilação na parte de cima do aparelho. Deixar um espaço completamente livre de cerca de 1 metro acima do painel superior.
- Deixar um espaço de cerca de 0,2 metro ao redor do aparelho.

### Svenska

För att ventilera enheten, ställ den inte i ett ställ eller bokhylla och tänk på följande.

- Vidrör inte ytterhöljets ovansida under pågående drift.
- Blockera inte öppningarna i ytterhöljet under pågående drift.
- Stick inte in föremål under enheten.
- Blockera inte ventiltionshålen ovanpå enheten. Placera inte någonting närmare än 1 meter ovanför apparaten eller enheten.
- Se till att det finns omkring 0,2 meter fri plats runt omkring enheten.

### Dansk

Anbring ikke apparatet i et rack eller en boghylde, da dette kan bloke luftcirkulationen omkring apparatet. Iagttag ligeledes følgende:

- Berør ikke oversiden af kabinettet under anvendelsen.
- Bloker ikke åbningerne i kabinettet under anvendelsen.
- Stik ikke genstande ind under apparatet.
- Bloker ikke ventilationsåbningerne ovenpå apparatet. Anbring ikke noget nærmere end 1 m over apparatets overside.
- Sørg for, at der er et frit område på omkring 0,2 m omkring apparatet.

## FOREWORD

Be sure to read this section before any connection to the mains supply.

### WARNINGS

Do not expose the equipment to rain or moisture.  
Do not remove the cover from the equipment.  
Do not insert anything into the equipment through the ventilation holes.  
Do not handle the mains lead with wet hands.  
Do not cover the ventilation with any items such as tablecloths, newspapers, curtains, etc.  
No naked flame sources, such as lighted candles, should be placed on the equipment.  
When disposing of used batteries, please comply with governmental regulations or environmental public instruction's rules that apply in your country or area.

### EQUIPMENT MAINS WORKING SETTING

This Marantz product is available in two different variations, depending on geographical area. One variation has a preset mains voltage (230V for General Europe model and U.K. model), while the other variation features variable voltage that can be selected using a voltage selector on rear panel (110V, 120V, 220V, 240V).

The voltage selector must be set for your local mains voltage before any connection to the mains supply. If you need to change its voltage setting, consult your dealer your local Marantz service provider.

### COPYRIGHT

Recording and playback of any material may require previous consent. Refer to the following for further information.

- Copyright Act 1956
- Dramatic and Musical Performers Act 1958
- Performers Protection Acts 1963 and 1972
- Any subsequent statutory enactments and orders

### ABOUT THIS USER'S GUIDE

Figure numbers refer to the illustrations located at the back of this User's Manual. Numbers assigned to parts and controllers match the callout numbers used inside the illustrations.

**ALL UPPER-CASE BOLD** type indicates the name of a connection or controller as it is actually marked on the amplifier.

## PRECAUTIONS

Note the following important precautions whenever operating the amplifier.

### SELECTING A LOCATION

Take a few moments to consider the following points before choosing a place for the amplifier.

- Make sure ventilation holes are not blocked or covered.
- Ensure that air can circulate freely around the amplifier.
- Locate the amplifier on a surface that is free of vibration.
- Choose a place where the amplifier will not be exposed to interference from an external source.
- Avoid excessive heat, cold, moisture, and dust.
- Keep the amplifier out of direct sunlight.
- Do not locate the amplifier where it will be exposed to electrostatic charge.

## GENERAL SAFETY PRECAUTIONS

- Never place heavy objects on top of the amplifier.
- Should foreign matter or water get into the interior of the amplifier, immediately turn it off and contact your original dealer or Marantz service provider.
- Never pull on the mains lead when unplugging the amplifier. Grasp the plug itself.
- It is always a good idea to disconnect the amplifier from the mains supply whenever leaving it unattended for long periods or during thunderstorms.

## CONNECTIONS

(Figure 1)

### CONNECTING A TUNER

Connect the output jacks of your stereo tuner to the **TUNER** jacks of this amplifier.

### CONNECTING A COMPACT DISC PLAYER

Connect the output jacks of your CD player to the **CD** jacks of this amplifier.

### CONNECTING A TURNTABLE

Connect the L (Left) output cord of the turntable to the "**L**" **PHONO** jack of this amplifier, and the R (Right) output cord to the "**R**" **PHONO** jack. If the turntable has a ground wire, make sure you connect it to the GND terminal of this amplifier. The **GND** terminal does not need to be connected if the turntable does not have a ground wire.

### CONNECTING A TAPE DECK

Connect the IN (recording input) jacks of the tape recorder to the **TAPE OUT** jack of this amplifier, and the OUT (playback output) jacks of the tape recorder to the **TAPE IN** jack.

### CONNECTING A PROCESSOR

Connect the IN jacks of the processor to the **PROCESSOR OUT** jack of this amplifier, and the OUT jacks of the processor to the **PROCESSOR IN** jack. When not used, leave these jacks connected with the supplied connecting pins.

### CONNECTING A SPEAKER SYSTEM

Your amplifier has two sets of **SPEAKER SYSTEM** terminals, which means you can connect either one or two speaker systems.

#### NOTE:

Turn the knobs on the speaker terminals by hand. (Do not use a tool to turn the knobs.)

#### • Connecting One Speaker System

Note the following points when connecting a single speaker system.

- The impedance of each speaker should be between 8 and 16 ohms. Connecting a speaker with impedance less than 8 ohms can cause activation of the amplifier's protection circuitry during play, making normal stereo playback impossible.
- Connect the right channel speaker to the amplifier's **R** terminals, and the left channel speaker to the **L** terminals.
- The output terminals have positive (+: red) and negative (–: black) polarity. Each speaker must also have the same polarity (+/–). Be sure to match the polarity of the amplifier with that of the speakers (+ with +, – with –) when making connections.

#### • Connecting Two Speaker Systems

Make sure that the impedance of each speaker is at least 16 ohms. Connecting a speaker with impedance less than 16 ohms can cause activation of the amplifier's protection circuitry during play, making normal stereo playback impossible.

## CONTROLS, CONNECTORS, AND INDICATORS

(Figure 2)

### ① REMOTE CONTROL BUS TERMINALS (REMOTE CONT. BUS)

These terminals can be used to connect other audio equipment that is equipped with a remote control bus terminal. Connection requires a special cable. The bus **OUT** terminal sends signal to the connected equipment, while the bus **IN** terminals receive signals.

### ② AUX1/AUX2 INPUT JACKS

These auxiliary input jacks can be used to connect the audio output of a **TV** multiplex/stereo audio tuner, **VCR**, laserdisc system, or other **AV** component audio output.

### ③ TUNER INPUT JACKS

Connect these jacks to the output jacks of your tuner.

### ④ CD INPUT JACKS

Connect these jacks to the output jacks of your compact disc player.

### ⑤ PHONO INPUT JACKS

Connect these jacks to the output jacks of your turntable. These input jacks are exclusive for a turntable equipped with MM (Moving Magnet) cartridge.

### ⑥ TAPE, CD-R/MD IN/OUT JACKS

Connect these jacks to the play (output) and record (input) jacks of your recorders. Up to two decks can be connected.

### ⑦ PROCESSOR IN/OUT JACKS

Use these jacks to connect a graphic equalizer or other analog audio processor. When not used, leave these jacks connected with the supplied connecting pins.

### ⑧ GROUND TERMINAL

If your turntable has a grounding wire, connect it to this terminal.

### ⑨ SPEAKER SYSTEMS

Connect your speaker system(s) to these terminals. There are two sets of terminals, so you can connect either one or two speaker systems.

### ⑩ AC OUTLETS (SWITCHED)

Connect the power cord of another piece of equipment (VCR, tuner, CD) when you want the power of the connected equipment automatically turned on whenever you turn on this amplifier. For this to work correctly, the power switch of the connected equipment must be left on. Normally, the audio output of the connected equipment is also connected to this amplifier. Note that the total power consumption of the connected all equipment must not exceed 100W.

### ⑪ POWER CORD

Connect the power cord to a standard household power outlet.

### ⑫ POWER SWITCH

Press this switch to turn power on (depressed) and off (raised). Note that the power of any equipment connected to the switched AC outlet on the rear panel (see 10 above) is also turned on and off by operating this switch.

Turning on the power causes the **POWER** indicator to light, and the **POWER** indicator goes out when power is turned off.

While the **POWER** switch is in the ON position (depressed), you can put use the remote control unit's **SYSTEM POWER ON** and **OFF** button to switch the amplifier between standby (indicated when the ⑳ **STANDBY** indicator is lit) and power on.

### ⑬ CLASS A INDICATOR

This indicator lights when the amplifier is in the Class A operation mode. See "⑳ Class A Switch" for details.

### ⑭ TAPE, CD-R/MD SELECTOR BUTTONS

Press one of these switches to select a connected tape deck or CD-R(MD) for monitoring or playback. Pressing a tape, CD-R/MD selector switch causes the indicator above it to light.

Pressing a **TAPE, CD-R/MD SELECTOR** button while the amplifier is in the Standby Mode automatically turns power back on.

### ⑮ INPUT SELECTOR

Use this selector to specify **PHONO**, **CD**, **TUNER**, **AUX 1**, or **AUX 2** as the program source for recording or play. Selecting a program source causes the indicator above it to light.

Changing the **INPUT SELECTOR** setting while the amplifier is in the Standby Mode automatically turns power back on.

### ⑯ REMOTE SENSOR

The remote sensor receive infrared commands from the remote control unit. Note that the remote control unit must be pointed directly at the remote sensor for proper operation.

### ⑰ VOLUME CONTROL

Rotate this knob clockwise to increase volume, and counter-clockwise to decrease volume.

### ⑱ MUTING INDICATOR

This indicator lights when muting is activated by pressing the remote control unit's **MUTE** button.

#### IMPORTANT:

Be sure to double check the **VOLUME** control setting before pressing the remote control unit's **MUTE** button to cancel muting. Restoring audio output while the **VOLUME** control setting is too high can damage your speakers.

### ⑲ BALANCE CONTROL

Rotate this knob to shift the balance of stereo output left and right. Note that turning the **BALANCE** control all the way in either direction causes output from the other side to be eliminated entirely.

### ⑳ RECORD (REC) SELECTOR SWITCH

Use this switch to select recording between the tape deck and CD-R(MD) or recording of the signal selected by the **INPUT SELECTOR SWITCH** and output from the **REC OUT** jacks.

See the note under "Tape Deck CD-R(MD) Operation" on page 6 for full details about settings.

### ㉑ SOURCE DIRECT SWITCH

Press this switch to turn source direct on (depressed) and off (raised). When source direct is turned on, the audio signal path is as short and direct as possible in order to enjoy high-quality sources under the best conditions possible.

#### NOTE:

Tape and CD-R(MD) playback and recording are not possible when the **SOURCE DIRECT** switch is on. The **TONE** and **BALANCE** controls are also disabled. Any graphic equalizer or other such component that is connected to the **PROCESSOR IN/OUT** jacks will not have any effect. In order to use any of these components or controls, it is necessary to turn the **SOURCE DIRECT** switch off.

### ㉒ BASS AND TREBLE TONE CONTROLS

Use these controls to control the levels of their corresponding frequency bands. **TREBLE** adjusts the high frequency band, while **BASS** adjusts the low frequency band. Rotating a control towards (+) enhance the frequency band, while rotating towards (-) attenuates the frequency band.

### 23 CLASS A SWITCH

Press this switch while amplifier power is turned off to switch between Class A (25W, 8 ohms) and Class AB (95W, 8 ohms) amplifier operation. The **CLASS A** indicator is lit while CLASS A operation is selected, and Class AB operation is indicated when the **CLASS A** indicator is not lit.

#### IMPORTANT:

The top cover may become hot during CLASS A operation, but this does not indicate malfunction. Note, however, that you should never place anything on top of this amplifier. Doing so can block ventilation holes, resulting a build up of heat and malfunction of or damage to the amplifier.

### 24 SPEAKER SWITCHES 1/2

Use these switches to turn speaker output on (depressed) and off (raised). You can turn off speaker output when listening to output over headphones.

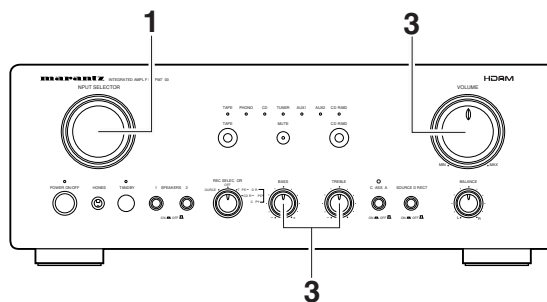
### 25 PHONES JACK

Use the jack to plug in headphones that are equipped with a standard phone jack.

### 26 STANDBY INDICATOR

This indicator is lit while the amplifier is in the Standby Mode. Pressing the remote control unit's **POWER** buttons switches the amplifier between standby and power on.

## OPERATION



**Perform the applicable operation on the connected equipment.**

### TO PLAY AN ANALOG RECORD

1. Set **INPUT SELECTOR** to **PHONO**.
2. Play the record on the turntable.
3. Use **VOLUME** to adjust volume, and **BASS** and **TREBLE** to adjust the tone.

#### NOTE:

- Be sure the set **VOLUME** to is minimum setting before placing the stylus onto the record or before replacing the turntable's cartridge.
- Never subject the turntable to shock or vibration while a record is playing. This can cause the stylus to jump and possible damage the record.
- Locating your turntable too close to the speakers can cause howling, which will make it impossible to use higher volume settings.
- Never turn off power while the stylus is in contact with the surface of the record.

### TO LISTEN TO AN FM/AM BROADCAST

1. Set **INPUT SELECTOR** to **TUNER**.
2. Tune in the desired station on the tuner.
3. Use **VOLUME** to adjust volume, and **BASS** and **TREBLE** to adjust the tone.

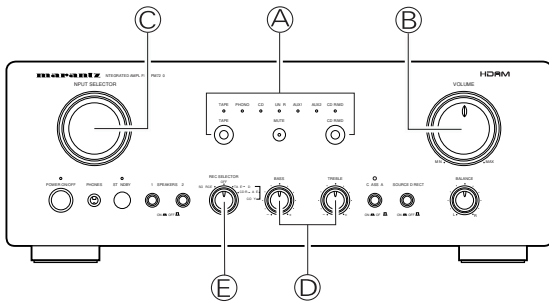
### TO PLAY A COMPACT DISC

1. Set **INPUT SELECTOR** to **CD**.
2. Play a CD on the CD player.
3. Use **VOLUME** to adjust volume, and **BASS** and **TREBLE** to adjust the tone.

### TO PLAY EQUIPMENT CONNECTED TO THE AUX 1 OR AUX 2 JACKS

1. Set **INPUT SELECTOR** to **AUX1** or **AUX2**.
2. Set up the connected equipment for play.
3. Use **VOLUME** to adjust volume, and **BASS** and **TREBLE** to adjust the tone.

## TAPE DECK CD-R(MD) OPERATION



Perform the applicable operation on the connected tape deck.

### TO PLAY BACK FROM A TAPE

1. Press **TAPE** **A** to the indicator above the switch is lit.
2. Play a tape on the tape deck.
3. Use **VOLUME** **B** to adjust volume.
4. Use **BASS** and **TREBLE** **D** to adjust the tone.

#### NOTE:

You can play back from a tape regardless of the **INPUT SELECTOR** **C** setting.

### TO RECORD TO A TAPE

1. Set **INPUT SELECTOR** **C** to **PHONO**, **CD**, **TUNER**, **AUX 1**, or **AUX 2** to select the source you want to record from.
2. Use the **REC SELECTOR** **E** to specify the type of recording you want to perform.
3. Start play on the selected source.
4. Perform the applicable operation on the connected tape deck to record the output from the selected source.

#### NOTE:

The **SOURCE DIRECT** switch must be turned off (raised) in order to record to a tape deck. Recording will not possible when **SOURCE DIRECT** is turned on (depressed).

### USING THE REC SELECTOR

Use the **REC SELECTOR** **E** to specify the type of recording you want to perform.

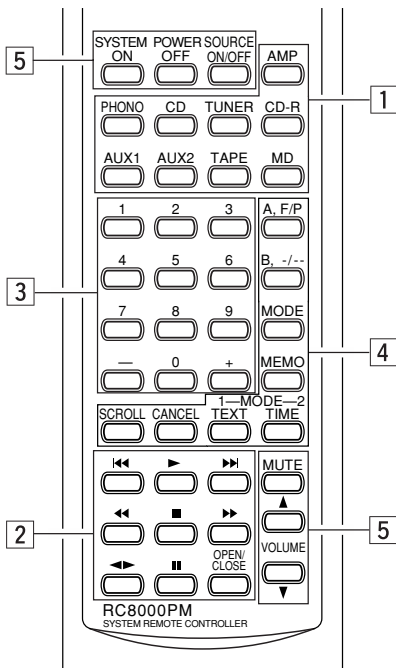
1. The **OFF** setting cuts off all signal output from the **REC OUT** jacks. Note that **REC SELECTOR** **E** should normally be in the **OFF** setting except when you are recording to tape. The **OFF** setting shortens the signal path within the amplifier, which minimizes crosstalk and other factors that can cause deterioration of the sound.
2. **SOURCE** sets up for recording the signal from the source selected by **INPUT SELECTOR** **C**.
3. **COPY** sets up for recording from **TAPE** to **CD-R**, or from **CD-R** to **TAPE**. You can listen to the output from another source while recording in the **COPY** position by selecting the source you want with **INPUT SELECTOR** **C**.



## REMOTE CONTROL UNIT RC 8000PM

The RC8000PM remote control unit can be used to control any Marantz AV equipment that has a remote sensor, as well as other Marantz equipment connected to the main equipment's remote control bus. The buttons of the remote control unit are arranged on the control panel according to functional groups as shown in the illustration below.

See the relevant user manuals for details on combination equipment as operation content may differ depending on the equipment combined.



- 1 Amplifier Source Buttons\***  
Use these buttons to select the amplifier's program source.
- 2 Player Operation Buttons**  
Use these buttons to control operation of a VCR, CD player, etc.
- 3 Numeric Key Pad**  
Use these buttons to input buttons for control of a tuner, CD player, etc.
- 4 Player/Tuner Auxiliary Operation Buttons**  
Use these buttons to control the mode switching and track jump operations of a tuner, CD, etc.
- 5 Amplifier Operation Buttons**  
Use these buttons to control power on/Standby, volume level, etc.  
**SYSTEM POWER ON** : Power supply is ON for the Unit.  
**SYSTEM POWER OFF** : Power supply is OFF for the Unit.  
**SOURCE ON/OFF** :  
     Power supply is ON/OFF for equipment selected by the **1** button.  
**MUTE** : Mutes amp(this equipment's) sound.  
**VOL ▲** : Increases this equipment's volume.  
**VOL ▼** : Decreases this equipment's volume.

\* Pressing an amplifier source button in group **1** to select a source causes the buttons in groups **2**, **3** and **4** to take on functions to control the selected source equipment (except for PHONO and AMP button). The following tables shows the functions of buttons in these groups for each available amplifier source.

### CD BUTTON

The following are the functions assigned to control buttons after the **CD** amplifier source button is pressed.

BUTTON NAME	FUNCTION
▶	Play
▶▶	Fast-forward
◀◀	Fast-reverse
◀▶	None
■	Stop
	Pause
OPEN/CLOSE	Open/Close
+	Next Track
-	Previous Track
A, F/P	Disc Select down
B, -/--	Disc Select up
MODE	Auto Music Scan (AMS)
MEMO	Store
TEXT (MODE 1)	Text
TIME (MODE 2)	Time
▶▶	Next Track
◀◀	Previous Track
SCROLL	Scroll
CANCEL	Cancel

### TUNER BUTTON

The following are the functions assigned to control buttons after the **TUNER** amplifier source button is pressed.

BUTTON NAME	FUNCTION
▶	None
▶▶	Tuning up
◀◀	Tuning down
◀▶	None
■	None
	None
OPEN/CLOSE	None
+	Preset up
-	Preset down
A, F/P	Channel/Frequency/Preset
B, -/--	1/2/3 Digits
MODE	Stereo/Mono
MEMO	Store
TEXT (MODE 1)	None
TIME (MODE 2)	None
▶▶	None
◀◀	None
SCROLL	Display
CANCEL	Cancel

**CD-R BUTTON**

The following are the functions assigned to control buttons after the **CD-R** amplifier source button is pressed.

BUTTON NAME	FUNCTION
▶	Play
▶▶	Fast-forward
◀◀	Fast-reverse
◀▶	None
■	Stop
	Pause
OPEN/CLOSE	Open/Close
+	Next track
-	Previous track
A, F/P	None
B, -/--	None
MODE	Auto Music Scan (AMS)
MEMO	Store
TEXT (MODE 1)	Text
TIME (MODE 2)	Time
▶▶	Next track
◀◀	Previous track
SCROLL	Scroll
CANCEL	Cancel

**AUX 2 BUTTON**

The following are the functions assigned to control buttons after the **AUX 2** amplifier source button is pressed.

BUTTON NAME	FUNCTION
▶	VCR Play
▶▶	VCR Fast-forward
◀◀	VCR Rewind
◀▶	None
■	VCR Stop
	VCR Pause
OPEN/CLOSE	Tape Eject
+	Step up
-	Step down
A, F/P	Channel/Preset
B, -/--	1/2/3 Digits
MODE	Sound Select
MEMO	Store (Memo Rew.)
TEXT (MODE 1)	Text ↔ TV Station
TIME (MODE 2)	Scroll Display (Time)
▶▶	VCR Fast Run FWD
◀◀	VCR Fast Run REV
SCROLL	None
CANCEL	None

**AUX 1 BUTTON**

The following are the functions assigned to control buttons after the **AUX 1** amplifier source button is pressed.

BUTTON NAME	FUNCTION
▶	VCR Play
▶▶	VCR Fast-forward
◀◀	VCR Rewind
◀▶	None
■	VCR Stop
	VCR Pause
OPEN/CLOSE	Tape Eject
+	Channel/Program up
-	Channel/Program down
A, F/P	Channel/Frequency/Presets
B, -/--	1/2/3 Digits
MODE	Sound Select
MEMO	Store
TEXT (MODE 1)	TV Station ↔ Text
TIME (MODE 2)	Scroll Display (Time)
▶▶	VCR Fast Run FWD
◀◀	VCR Fast Run REV
SCROLL	None
CANCEL	None

**TAPE BUTTON**

The following are the functions assigned to control buttons after the **TAPE** amplifier source button is pressed.

BUTTON NAME	FUNCTION
▶	Play
▶▶	Fast-forward
◀◀	Rewind
◀▶	Direction Switch
■	Stop
	Pause
OPEN/CLOSE	Eject
+	Next
-	Previous
A, F/P	Deck A
B, -/--	Deck B
MODE	Auto Music Scan (AMS)
MEMO	Store
TEXT (MODE 1)	Scroll Display (Text)
TIME (MODE 2)	Scroll Display (Time)
▶▶	Next
◀◀	Previous
SCROLL	None
CANCEL	Cancel

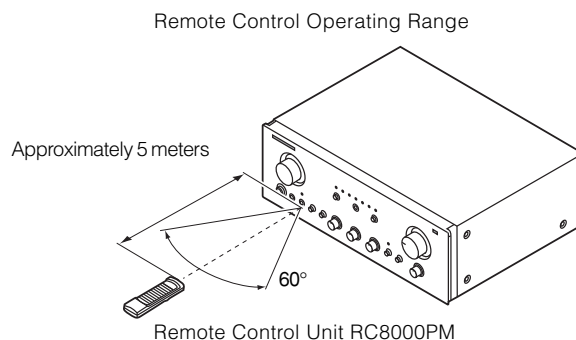
### MD BUTTON

The following are the functions assigned to control buttons after the MD amplifier source button is pressed.

BUTTON NAME	FUNCTION
▶	Play
▶▶	Fast-forward
◀◀	Rewind
◀▶	None
■	Stop
	Pause
OPEN/CLOSE	Eject
+	Next
-	Previous
A, F/P	Edit
B, -/—	Enter
MODE	Monitor
MEMO	Store
TEXT (MODE 1)	None
TIME (MODE 2)	Time
▶▶	Next
◀◀	Previous
SCROLL	Scroll
CANCEL	Delete

### USING THE REMOTE CONTROL UNIT

When operating the remote control unit (RC8000PM), point its transmitter directly at the remote sensor, which is located on the front of the amplifier. Make sure the remote control unit is no further than about 5 meters from the remote sensor. Remote control operation may not be possible if the remote control unit's transmitter is not pointing directly at the remote sensor, or if there is an obstruction between the transmitter and sensor.

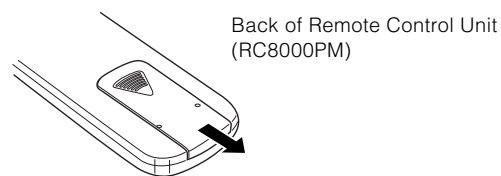


### REMOTE CONTROL UNIT BATTERIES

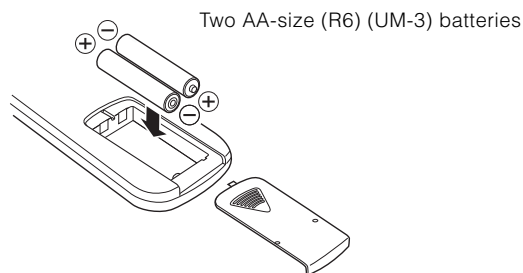
Remote control unit batteries should last for about one year under normal conditions. Replace batteries as soon as possible whenever they show signs of running low. Also, be sure to remove the batteries if you do not plan to use the remote control unit for a long time.

### TO LOAD REMOTE CONTROL UNIT BATTERIES

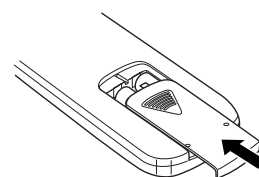
- (1) Remove the battery compartment cover.**



- (2) Load two batteries, making sure their positive (+) and negative (-) ends are facing correctly.**



- (3) Slide the battery compartment cover back into place and press until it clicks shut.**



## CARE AND MAINTENANCE

This section describes care and maintenance that you must perform in order to make sure your Marantz amplifier performs at the level for which it is designed. Be sure to unplug the amplifier from the mains supply before any care and maintenance.

### NORMAL CLEANING

The exterior of your amplifier will last indefinitely with proper care and cleaning. For normal cleaning, wipe exterior surfaces with a soft, lint-free cloth.

### IMPORTANT:

Any of the following will mar the finish of your amplifier and should never be used for cleaning.

- Scouring pads, steel wool, abrasive powders
- Harsh chemical agents (such as a lye solution)
- Alcohol, thinners, benzene, insecticide, or other volatile agents.

### SPECIAL CLEANING

Should it amplifier ever become so soiled that normally cleaning is not enough, use the following procedure for cleaning.

1. Prepare a cleaning solution of one part mild neutral liquid detergent and six parts water.
2. Moisten a soft, lint-free cloth in the cleaning solution and then wring out all excess moisture from the cloth.
3. Wipe off the amplifier with the damp cloth.
4. Dry the amplifier by wiping it with a soft dry cloth.

## REPLACING THE FUSE

### (for variable mains voltage version)

Should the fuse blow, immediately unplug the amplifier from the mains supply. Replace the fuse with a new one of the same type and rating. If the fuse blows again after the amplifier is turned on, take the amplifier to an authorized Marantz service provider.

### IMPORTANT:

Using a fuse with a higher rating or slower action does not protect the amplifier and invalidates your warranty.

## REPAIRS

Only the most competent and qualified serviced technicians should be allowed to service this amplifier. Marantz and its factory-trained warranty personnel have the special knowledge and facilities required for the repair and calibration of this amplifier. After expiration of the warranty period, repairs can be performed for a separate charge.

Whenever you experience problems, first try to solve the problem yourself using the troubleshooting procedures provided on this page. If this does not work, contact your original dealer or write directly to your nearest service provider as listed on the Marantz Authorised Service Station list. When you write, be sure to include the model and serial number of your amplifier, together with a detailed description of the problem.

## TROUBLESHOOTING

Whenever you have a problem with the amplifier, check the following points before requesting service. What may seem to be a serious malfunction is often the result of a simple operational error. If you still have problems, contact your original dealer or write directly to your nearest service provider as listed on the Marantz Authorised Service Station list.

### The amplifier does not operate and indicators do not light.

1. Check to see if the power cord is correctly inserted into a power outlet.

### Indicators light, but the amplifier does not operate.

1. Check the **SELECTOR** and **VOLUME** settings.
2. Check to see if the supplied connecting pins are correctly inserted into the **PROCESSOR IN/OUT** jacks.

### Sound is being produced by only one speaker.

1. Check the **BALANCE** setting.
2. Turn off the amplifier and switch the connections of the left and right speaker cords. If the same speaker still does not produce sound, it probably means that the connection cord or the speaker itself is defective.

### Considerable humming is produced when playing from a turntable.

1. Check to see if the plugs from the turntable are properly connected to the amplifier's **PHONO** jacks.
2. Connect the turntable's ground wire to the **GND** terminal on the rear panel of the amplifier. If the ground wire is already connected, try disconnecting it.
3. Check to make sure that the turntable's phono cartridge is securely attached to the tone arm.
4. Unplug the amplifier's power cord, turn over the plug so the two blades go into opposite holes, and plug it back in.

### Cannot perform remote operation.

1. Make sure the remote control unit's (RC8000PM) transmitter is pointed directly at the amplifier's remote sensor when you perform a remote control unit operation.
2. Check for obstructions between the remote control unit's transmitter and the amplifier's remote sensor.
3. Check the batteries of the remote control unit.
4. Make sure there is no strong light (from a window or other source) shining on the amplifier's remote sensor.
5. Check to see if there is an **RCA** cord connected to the **REMOTE CONTROL IN** jack on the amplifier's rear panel.

## MODEL PM7200 TECHNICAL SPECIFICATIONS

### Power output (class AB operation)

RMS 8 ohms (20 Hz-20 kHz) .....	95 W
DIN 8 ohms .....	105 W
THD at 8 ohms RMS rated output .....	0.03%
Damping factor .....	150

### Power output (classA operation)

RMS 8 ohms (20 Hz-20 kHz) .....	25 W
DIN 8 ohms .....	28 W
THD at 8 ohms RMS rated output .....	0.03 %
Damping factor .....	150

### IHF dynamic power (class AB operation)

8 ohms .....	120 W
--------------	-------

### IHF dynamic power (classA operation)

8 ohms .....	35 W
--------------	------

### Magnetic cartridge input

Input sensitivity impedance .....	2.5 mV/47 kOhm
Accuracy of frequency response to IEC RIAA .....	0.5 dB
Signal to noise ratio .....	85 dB

### Tuner/CD/Aux/Tape inputs

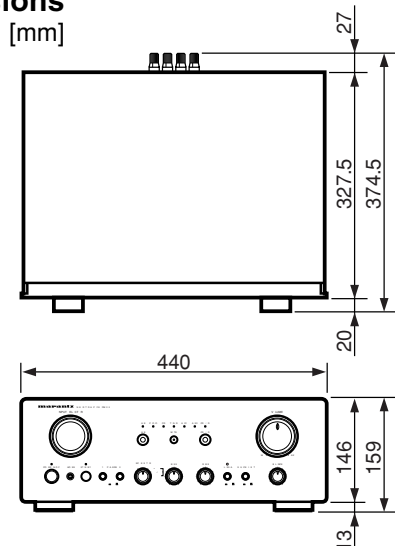
Input sensitivity impedance .....	150 mV/40 kOhm
Signal to noise ratio .....	88 dB
Frequency response (-1 dB limits, Source Direct) .....	10 Hz - 50 kHz
Tone characteristic (100 Hz and 10 kHz) .....	±8 dB
Channel separation (1 kHz/10 kHz, Source direct) .....	>80/>70 dB

### General

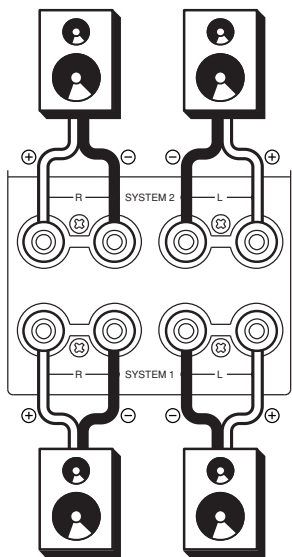
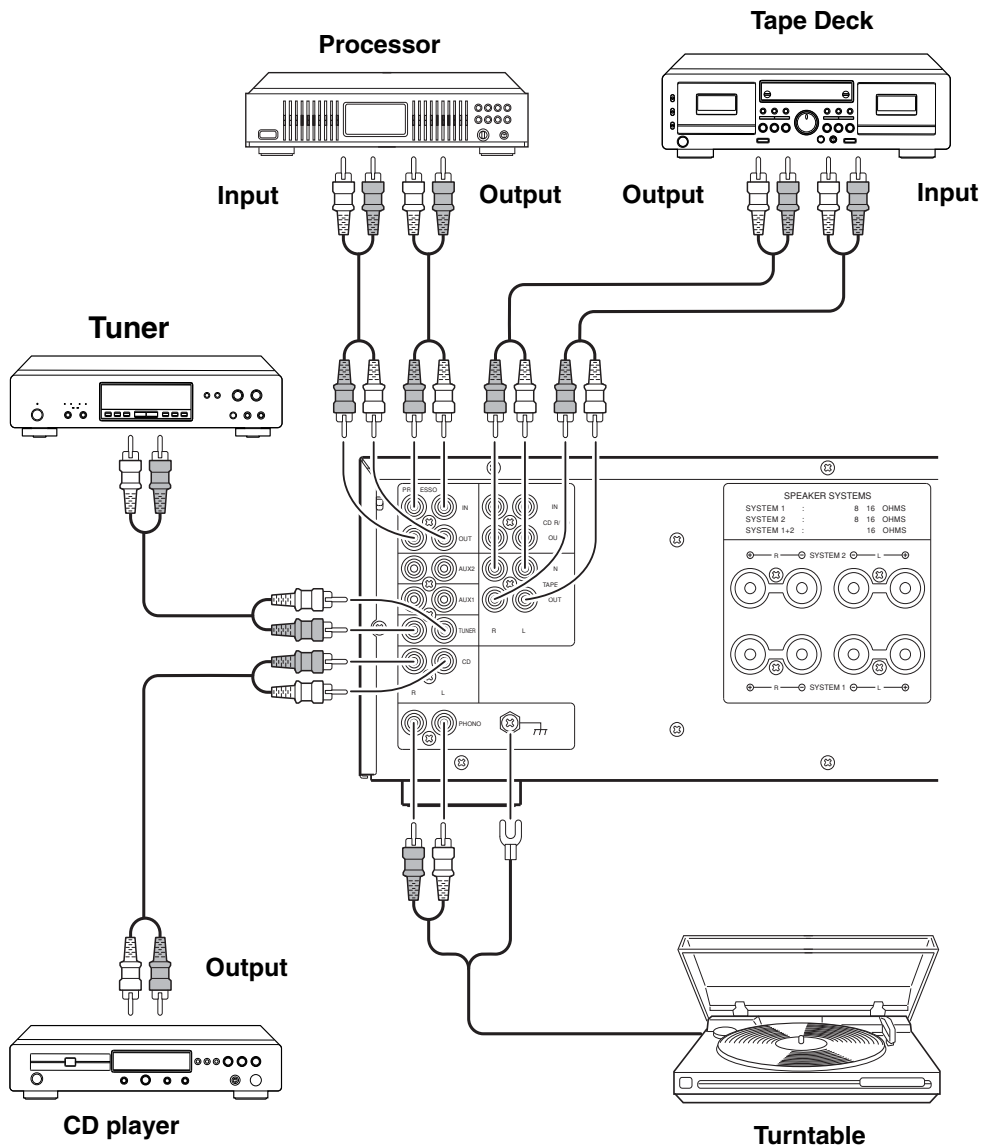
Power Requirements .....	230V AC, 50 Hz
Dimensions	
Width .....	440 mm
Height .....	159 mm
Depth .....	374.5 mm
Weight	
Unit alone .....	12.3 kg

Specifications subject to change without prior notice.

### Dimensions

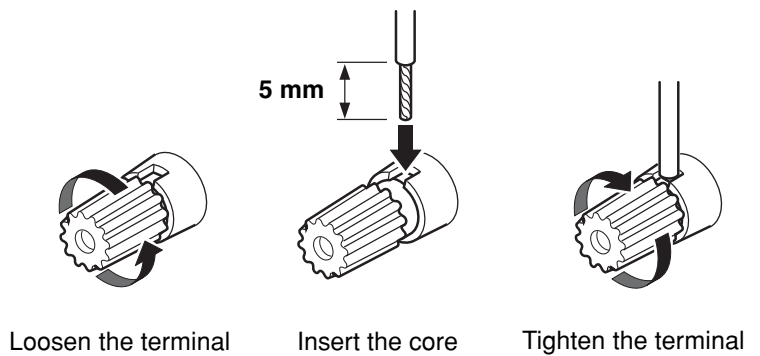


## FIGURES



**NOTE:**

Turn the knobs on the speaker terminals by hand.  
(Do not use a tool to turn the knobs.)



**Connection of speaker cable**

**Figure 1**

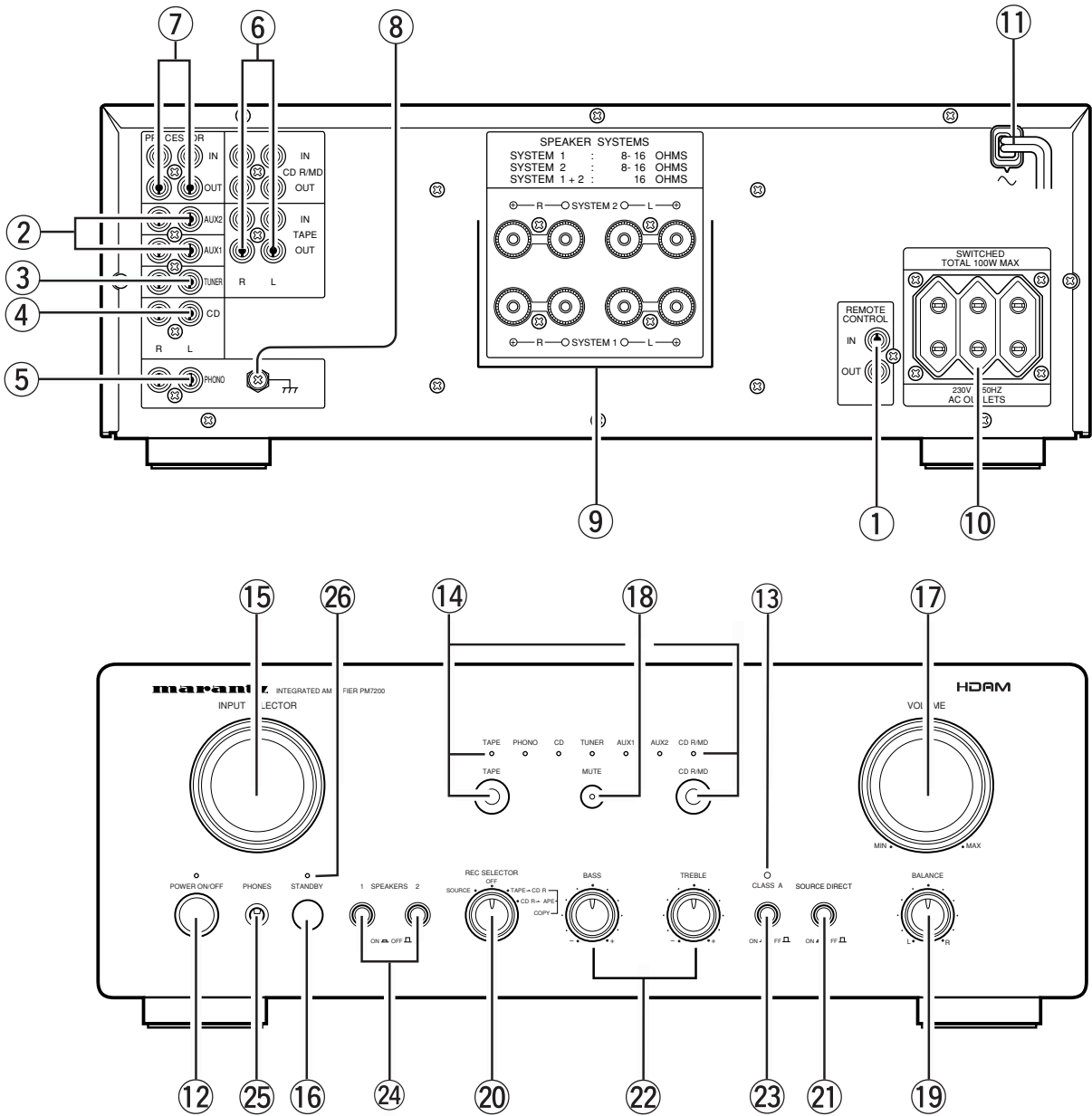


Figure 2



## **www.marantz.com**

You can find your nearest authorized distributor or dealer on our website.

---

<b>JAPAN</b>	Marantz Japan, Inc.	35-1 Sagami Ohno 7-Chome, Sagamihara-shi, Kanagawa 228-8505, Japan
<b>U.S.A.</b>	Marantz America, Inc.	1100 Maplewood Drive, Itasca, IL 60143, U.S.A.
<b>EUROPE</b>	Marantz Europe B.V.	P.O. Box 8744, 5605 LS Eindhoven, The Netherlands

---

**marantz**<sup>®</sup> is a registered trademark.

